

**PROJECT**

**PROPOSED INTERIOR FURNISHING  
FOR  
INDIAN BANK  
AT RMPC BRANCH**

**NOTE**

- 1) ALL DIMENSIONS ARE IN FEET & INCHES
- 2) DRAWING TO BE READ IN CONJUNCTION WITH DETAILS
- 3) ALL DESCREANCIES MUST BE BROUGHT TO THE NOTICE OF THE ARCHITECT
- 4) SAMPLE OF FURNITURE TO BE APPROVED BEFORE EXECUTION

**BANKING AREA :**

BANKING HALL - 1349 SFT

TOTAL - 1349 SFT

**FALSE CELING :**

BANKING AREA - 1124 SFT

**SCHEDULE OF JOINERIES (PROPOSED)**

MD - SEMIGLAZED DOOR - 6'0"X7'0"

D - SEMIGLAZED DOOR - 3'0"X7'0"

D1 - SEMIGLAZED DOOR - 2'6"X7'0"

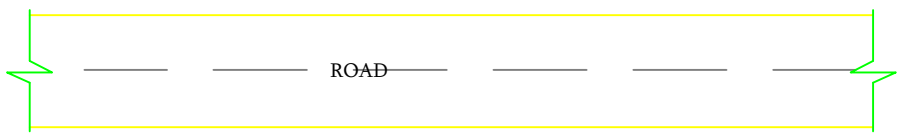
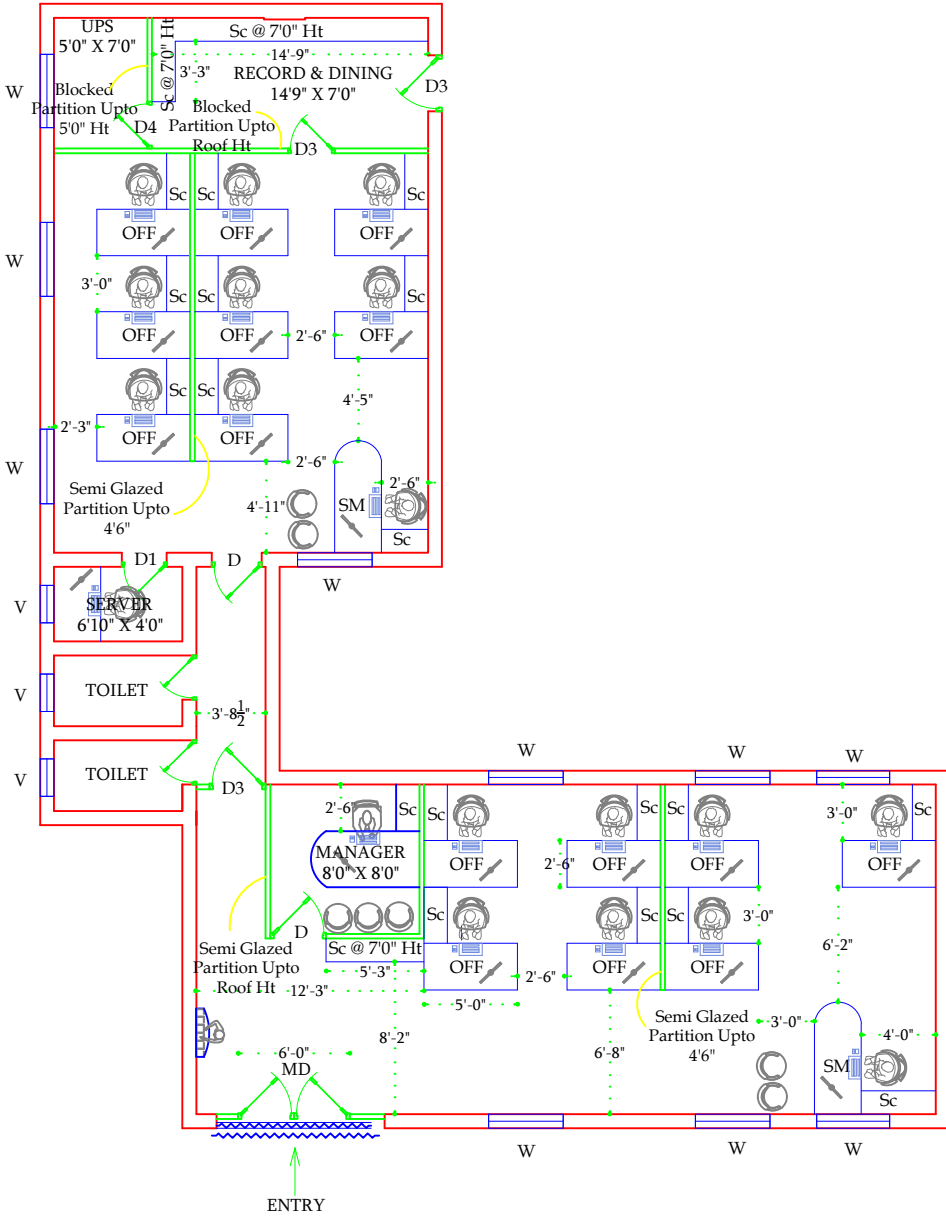
D2 - SEMIGLAZED DOOR - 2'6"X5'0"

D3 - FLUSH DOOR - 3'0"X7'0"

D4 - FLUSH DOOR - 2'6"X5'0"

WD - WICKET DOOR - 3'0"X3'0"

SC - SIDE CREDENZA - 2'6" B



**TITLE**

**CONCEPT DRAWING - 3**



DRAWN : D.J.VIJAY

SCALE : 1"=8'0"

JOB NO: 18 - 2020

DATE :23.07.2020

SHEET SIZE: A4

**ARCHITECT**

**Dr.T.MAYILVAHANAN**,M.E.,A.I.I.A.,M.C.A.,Ph.D.,



**COS CONSULTANCY SERVICES**  
ARCHITECTURE,INTERIORS,STRUCTURAL  
ENGINEERS & DESIGNERS

6/13, Kamaraj Nagar 4th Street,

Tallakulam, Madurai - 625002

Phone : 0452 - 2521869

Email id: cosquant93@gmail.com