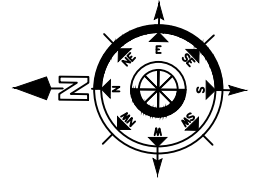
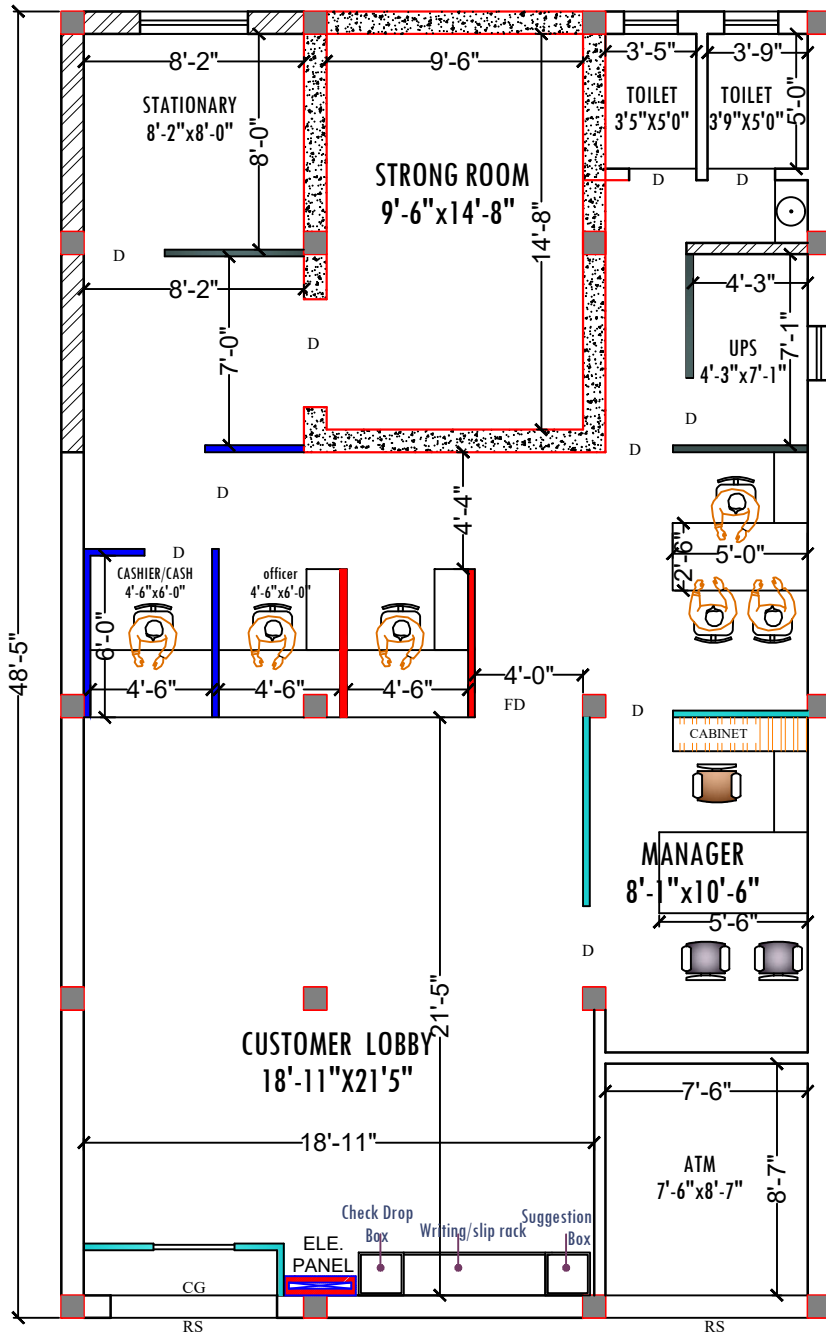


OPTION:-02

BRANCH CARPET AREA= 1118.00 SQ.FT.(Approximate)
 ATM CARPET AREA= 66.00 SQ.FT.(Approximate)
 TOTAL CARPET AREA (BRANCH+ATM) 1165.00 SQ.FT.(Approximate)

ROAD



GROUND FLOOR PLAN

ROAD

NOTE	PROJECT:-	REVISION:-	Sheet title :- FURNITURE LAYOUT PLAN				
	<ul style="list-style-type: none"> HALF HT PARTITION SEMI GLAZED FULL HT PARTITION SOLID FULL HT PARTITION 7' HT PARTITION 	PROPOSED INTERIOR LAYOUT OF INDIAN BANK AT- <u>SHERGHATI BRANCH</u>	Date :-	Issues	Scale :-	Date :-	Drawn by :-
				N.T.S	24/09/2024	RAHUL SINGH	Ar. Amit Kumar
				Architects :- ARTCON DESIGN CONSULTANTS ARCHITECTS ENGINEERS INTERIOR DESIGNERS COMPUTER AIDED DESIGN G-04 Laxmi Palace, Mitra Compound, Boring Road, Patna - 800001 +91 9931723771, amitkumar73@gmail.com +91 9386717726 artcondesignconsultants.com			