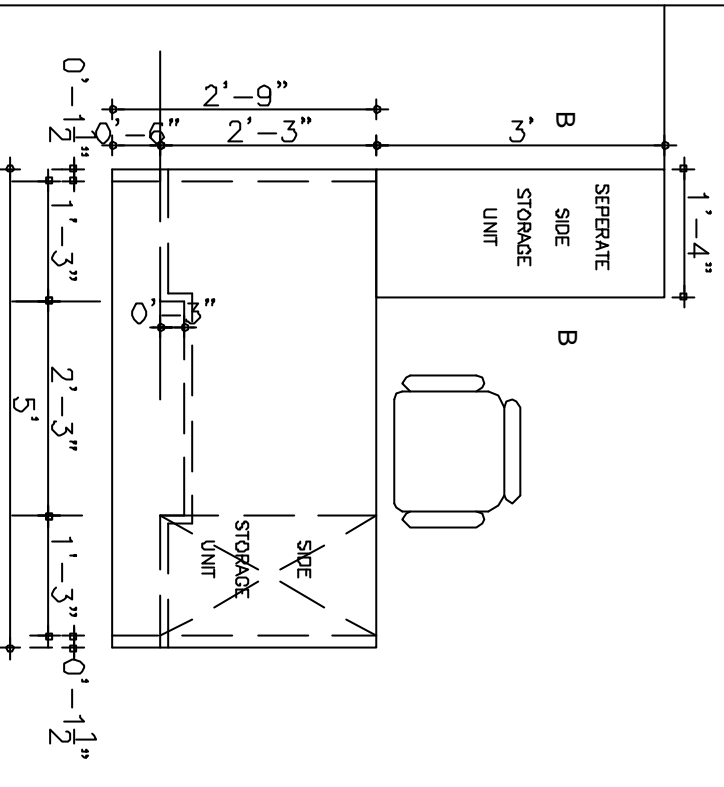


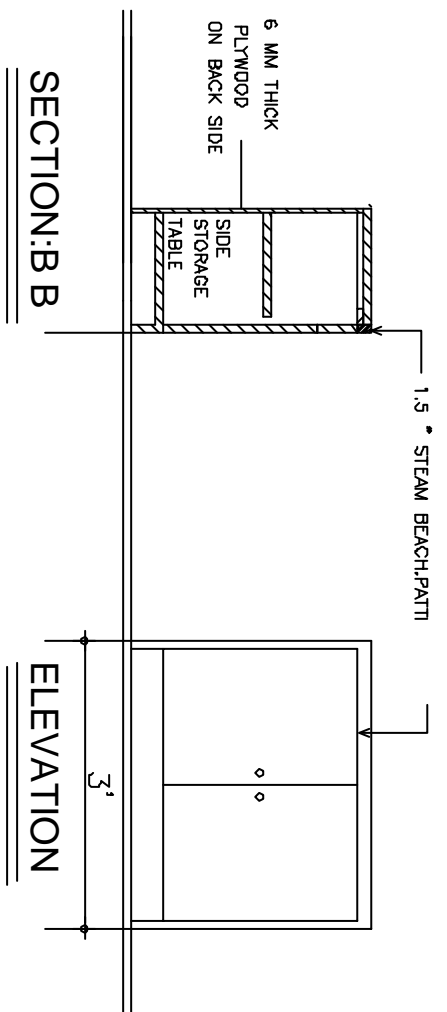
**FRONT ELEVATION**

**INSIDE ELEVATION**



**PLAN**

**SERVICE MANAGER TABLE**



**SECTION: B B**

**ELEVATION**

<b>PROJECT:</b> <b>INDIAN BANK</b> C.G. ROAD BRANCH	<b>TITLE</b> <b>TABLE DETAILS</b> SCALE : 1"=2'-0" DATE : 08-12-2011	<b>ARCHITECTS:</b> <b>VIJAY SAHIJWANI &amp; ASSOC.</b> 55, SAHYADRI APARTMENT NAVRANGPUR, AHMEDABAD. PHONE : 26448937
---	---	---